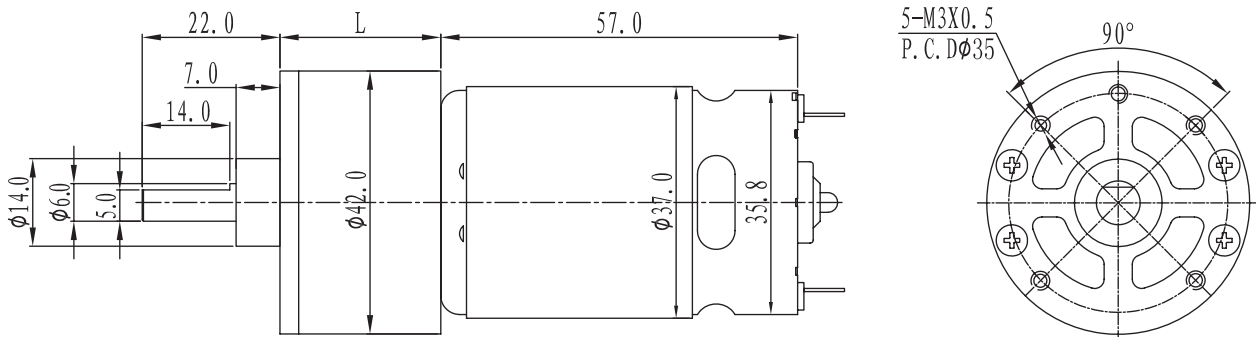


ZGA42RH(A6249)



Dimension(mm)



Specifications

DC Motor	Ratio	1/8.3	1/18.2	1/22.2	1/27.3	1/59	1/72.9	1/158
ZYTD-555 (12V-3700R)	No load (r/min)	450	205	170	140	63	51	24
	On load (r/min)	375	170	140	110	53	43	21
	Rated torque (kgf.cm)	1.1	2.1	2.6	3.2	6.5	8.2	12
ZYTD-555 (24V-5300R)	No load (r/min)	650	300	240	200	91	74	34
	On load (r/min)	540	245	200	165	77	65	31
	Rated torque (kgf.cm)	1.5	3.1	3.8	4.7	9	9	12
Direction	电源正极接 + 端子	CW	CCW		CW		CCW	

Gearbox

Reduction Ratio	L	Stages	Allowable Torque	
	mm		mN.m	kgf.cm
1/8.3	29.7	3	392	4
1/18.2~1/27.3	29.7	4	686	7
1/59~1/72.9	33.5	5	882	9
1/158	36.7	6	1176	12

★ Other specification can be customized.

N20/30
FF030
RF130
BLDC 1632
FF130
FF180
RF500
RF300
RF310
094
BLDC 2035
370
2418
2430
385
2838
395
30-C
32-C
40-C
32ZY13
32ZY25
520
BLDC 520
380
555
BLDC 3640
775
38S
BLDC 38S
45S
BLDC 45S
50S
BLDC 50S
60S
BLDC 60S
80S
稳压器
同步电机
永磁直流电机
交流可逆电机